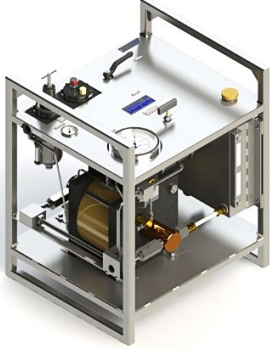


TECHNICAL DATA SHEET

PRODUCT	HPU-DA267/4.1-N*-L**/options	
SERIES	HPU-DA Double Acting Air operated, high flow, double acting hydraulic pumps for pressure testing, chemical injection and hydraulic power.	

FEATURES

- Infinitely variable output pressure and flow
- Holds static pressure without generating heat or consuming power
- Standard models are suitable for oil or water applications
- Well proven and trouble-free operation
- Designed for ease of maintenance
- Low cost servicing
- Robust construction

PERFORMANCE DATA

Max Rated Output Pressure	26,700psi (1,841bar)
Output Per Cycle	2.0 in ³ (33cc)
Max Flow	328 in ³ /min (5 litre/min)
Max Air Supply Pressure	100psi (7bar)
Ratio	267 : 1
Air Consumption	120 scfm (3,400 NI/min)
Tank Capacity	5 Gallons (23 litres)

SEAL OPTIONS (N*)

N* (standard)	Nitrile (Buna-N) Main Seal and Check Valve Seals
V	Viton (FKM) Main Seal and Check Valve Seals
C	Chemraz (FFKM) Main Seal and Check Valve Seals

CONSTRUCTION

Frame and Tank	Stainless Steel
Air Motor	Anodised Aluminium / Nitrile (Buna-N) Seals
Hydraulic Cylinder	Aluminium Bronze
Piston	Stainless Steel + Corrosion Resistant Chrome Finish
Outlet Port	Stainless Steel
L1** (standard)	Brass / Copper Hydraulic Inlet, Air Inlet and Plated Steel Silencer
L2** (optional)	Stainless Steel Hydraulic Inlet, Air Inlet and Silencer

CONNECTIONS

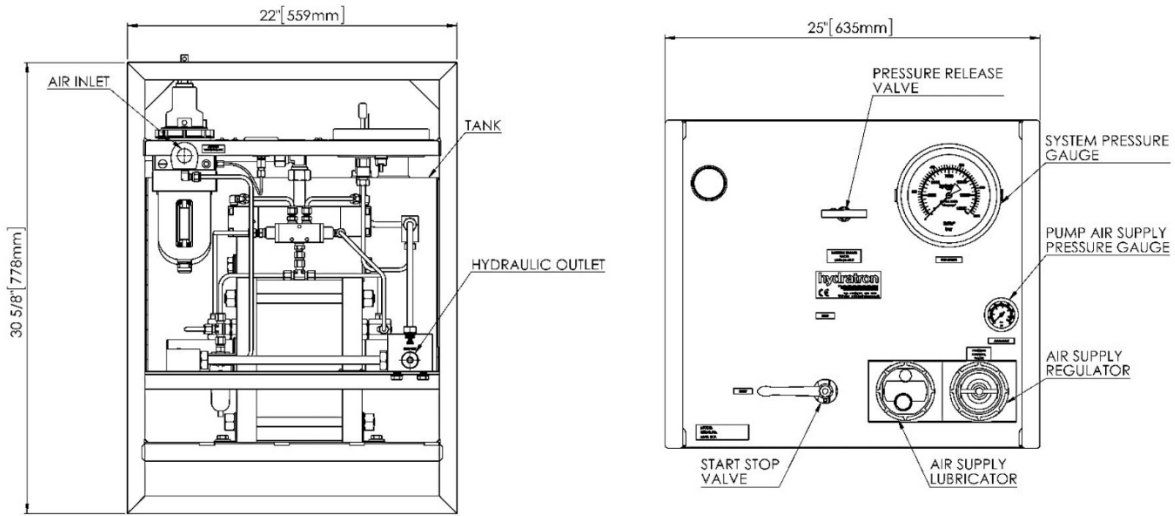
Hydraulic Outlet	9/16" HP(F)
Air Inlet	3/4" BSPP(F)
Net Weight	90kg (198lb)

COMMON OPTIONS (BUT NOT LIMITED TO)

/ A	ATEX (94/9/EC) II 2GD c T5
/ F	Panel mount digital stroke counter (non ATEX)
/ G	Panel mount pneumatic stroke counter
/ I (over all dimension varies)	Isolation valve
/ M	Mild steel painted frame (Painted Blue) + Stainless steel tank (if applicable to the unit)
/ O (over all dimension varies)	Single pen chart recorder complete with recorder isolation valve
/ Q (over all dimension varies)	No tank-direct fluid inlet via Y type stainless steel strainer
/ R	Relief valve
/ T (over all dimension varies)	Tank bypass
/ V	No tank-direct hydraulic inlet via Y type brass strainer
/ W	Fitted with wheels
/ X	Gauge protection guard

GENERAL LAYOUT DRAWING

Model: **HPU-DA267/4.1**



HYDRAULIC PRESSURE STATIC / STALL CONDITIONS

AIR PRESSURE	HYDRAULIC PRESSURE
20psi (1.4bar)	5,360psi (370bar)
40psi (2.8bar)	10,720psi (739bar)
60psi (4bar)	16,080psi (1,109bar)
80psi (5.5bar)	21,440psi (1,479bar)
100psi (7bar)	26,700psi (1,841bar)

FLOW CURVE

DA267 - Ratio 267:1

