


TECHNICAL DATA SHEET

| | | |
|---------|--|--|
| PRODUCT | HYP5-AZ-1-70H-N*/**options |  |
| SERIES | HYP5-AZ-1 Single Acting Air operated, hydraulic power pack for pressure testing, chemical injection and hydraulic power. | |

FEATURES

- Infinitely variable output pressure and flow
- Holds static pressure without generating heat or consuming power
- Standard models are suitable for oil or water applications
- Well proven and trouble-free operation
- Designed for ease of maintenance
- Low cost servicing

Basic Models are ATEX Certified in accordance with 2014/34/EU.

Note: addition of options may affect ATEX rating.

PERFORMANCE DATA

| | |
|---------------------------|---|
| Max Rated Output Pressure | 7,000psi (483bar) |
| Output Per Cycle | 0.38 in ³ (10cc) |
| Max Flow | 181 in ³ /min (2.96 litre/min) |
| Max Air Supply Pressure | 100psi (7bar) |
| Ratio | 70 : 1 |
| Air Consumption | 28 scfm (800 NI/min) |
| Tank Capacity | 2.5 Gallons (11.4 litres) |

SEAL OPTIONS (N*)

| | |
|----|---|
| N* | (Standard) Nitrile (Buna-N) Main Seal and Check Valve Seals |
| V | Viton (FKM) Main Seal and Check Valve Seals |
| C | Chemraz (FFKM) Main Seal and Check Valve Seals |

CONSTRUCTION

| | |
|--------------------|---|
| Frame and Tank | Stainless Steel |
| Air Motor | Anodised Aluminium / Wound Composite / Nitrile (Buna-N) |
| Hydraulic Cylinder | Stainless Steel |
| Piston | Stainless Steel + Chrome Finish |
| Outlet Port | Stainless Steel |

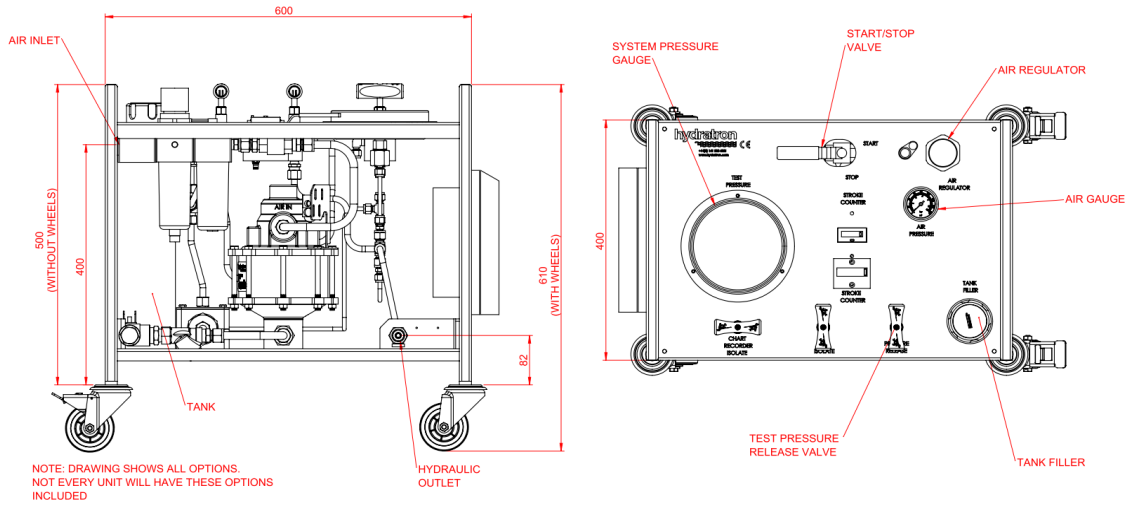
CONNECTIONS

| | |
|------------------|--------------|
| Hydraulic Outlet | 3/8" MP(F) |
| Air Inlet | 1/2" BSPP(F) |
| Net Weight | 25kg (55lb) |

COMMON OPTIONS (BUT NOT LIMITED TO)

| | |
|------|--|
| / D | External fluid supply via bulkhead (no tank fitted) |
| / T | Stainless steel tank fitted |
| / Tx | Stainless steel tank fitted with external fluid supply port |
| / F | Panel mount digital stroke counter (non ATEX) |
| / G | Panel mount pneumatic stroke counter |
| / I | Test isolation valve fitted |
| / O | Single pen chart recorder complete with recorder isolation valve |
| / W | Fitted with wheels |
| / R | Relief valve fitted and set in test line |

GENERAL LAYOUT DRAWING



HYDRAULIC PRESSURE STATIC / STALL CONDITIONS

| AIR PRESSURE | HYDRAULIC PRESSURE |
|----------------|--------------------|
| 20psi (1.4bar) | 1,175psi (81bar) |
| 40psi (2.8bar) | 2,600psi (179bar) |
| 60psi (4bar) | 4,100psi (283bar) |
| 80psi (5.5bar) | 5,600psi (386bar) |
| 100psi (7bar) | 7,000psi (483bar) |

FLOW CURVE

AZ-1-70 - Ratio 70:1

