


TECHNICAL DATA SHEET

PRODUCT	HYPS-AZ-1-30H-N*/**options	
SERIES	HYPS-AZ-1 Single Acting Air operated, hydraulic power pack for pressure testing, chemical injection and hydraulic power.	

FEATURES

- Infinitely variable output pressure and flow
- Holds static pressure without generating heat or consuming power
- Standard models are suitable for oil or water applications
- Well proven and trouble-free operation
- Designed for ease of maintenance
- Low cost servicing

Basic Models are ATEX Certified in accordance with 2014/34/EU.

Note: addition of options may affect ATEX rating.

PERFORMANCE DATA

Max Rated Output Pressure	3,075psi (212bar)
Output Per Cycle	0.86 in ³ (14cc)
Max Flow	445 in ³ /min (7.3 litre/min)
Max Air Supply Pressure	100psi (7bar)
Ratio	30 : 1
Air Consumption	28 scfm (800 NI/min)
Tank Capacity	2.5 Gallons (11.4 litres)

SEAL OPTIONS (N*)

N*	(Standard) Nitrile (Buna-N) Main Seal and Check Valve Seals
V	Viton (FKM) Main Seal and Check Valve Seals
C	Chemraz (FFKM) Main Seal and Check Valve Seals

CONSTRUCTION

Frame and Tank	Stainless Steel
Air Motor	Anodised Aluminium / Wound Composite / Nitrile (Buna-N)
Hydraulic Cylinder	Stainless Steel
Piston	Stainless Steel + Chrome Finish
Outlet Port	Stainless Steel

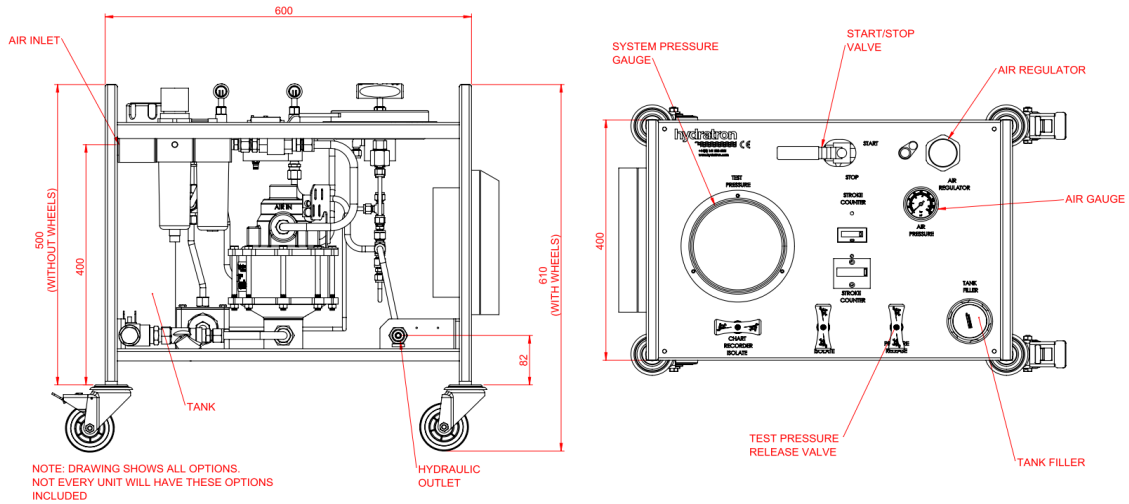
CONNECTIONS

Hydraulic Outlet	1/2" NPT(F)
Air Inlet	1/2" BSPP(F)
Net Weight	25kg (55lb)

COMMON OPTIONS (BUT NOT LIMITED TO)

/ D	External fluid supply via bulkhead (no tank fitted)
/ T	Stainless steel tank fitted
/ Tx	Stainless steel tank fitted with external fluid supply port
/ F	Panel mount digital stroke counter (non ATEX)
/ G	Panel mount pneumatic stroke counter
/ I	Test isolation valve fitted
/ O	Single pen chart recorder complete with recorder isolation valve
/ W	Fitted with wheels
/ R	Relief valve fitted and set in test line

GENERAL LAYOUT DRAWING



HYDRAULIC PRESSURE STATIC / STALL CONDITIONS

AIR PRESSURE	HYDRAULIC PRESSURE
20psi (1.4bar)	525psi (36bar)
40psi (2.8bar)	1,150psi (79bar)
60psi (4bar)	1,775psi (122bar)
80psi (5.5bar)	2,350psi (162bar)
100psi (7bar)	3,075psi (212bar)

FLOW CURVE

HYP5-AZ-1-30 - Ratio 30:1

