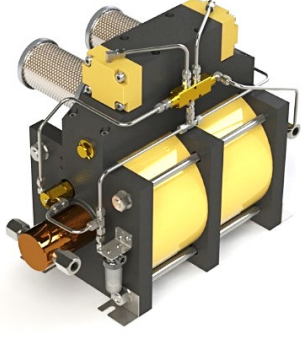


TECHNICAL DATA SHEET

PRODUCT	PU-DHDA66/4-N*-L1**/options	
SERIES	DHDA Double Airhead Double Acting Air operated, high flow, double headed-double acting hydraulic pumps for pressure testing, chemical injection and hydraulic power.	

FEATURES

- Infinitely variable output pressure and flow
- Holds static pressure without generating heat or consuming power
- Standard models are suitable for oil or water applications
- Well proven and trouble-free operation
- Designed for ease of maintenance
- Low cost servicing
- Robust construction

PERFORMANCE DATA

Max Rated Output Pressure	13,300psi (917bar)
Output Per Cycle	8.0 in ³ (131cc)
Max Flow	992 in ³ /min (16 litre/min)
Max Air Supply Pressure	100psi (7bar)
Ratio	132 : 1
Air Consumption	200 scfm (5,664 NI/min)

SEAL OPTIONS (N*)

N* (standard)	PTFE Main Seal & Nitrile (Buna-N) Check Valve Seals
V	PTFE Main Seal & Viton (FKM) Check Valve Seals
C	PTFE Main Seal & Chemraz (FFKM) Check Valve Seals

CONSTRUCTION

Air Motor	Anodised Aluminium / Nitrile (Buna-N) Seals
-----------	---

Hydraulic Cylinder	Aluminium Bronze
Piston	Stainless Steel + Corrosion Resistant Chrome Finish
Check Valves	Stainless Steel (Seals as per Selected Seal Option)
Pilot Air Valves	Brass / Stainless Steel Internals / Nitrile (Buna-N) Seals / Stainless Steel Pipework
L1** (standard)	Plated Steel Silencer
L2** (optional)	Stainless Steel Silencer

CONNECTIONS

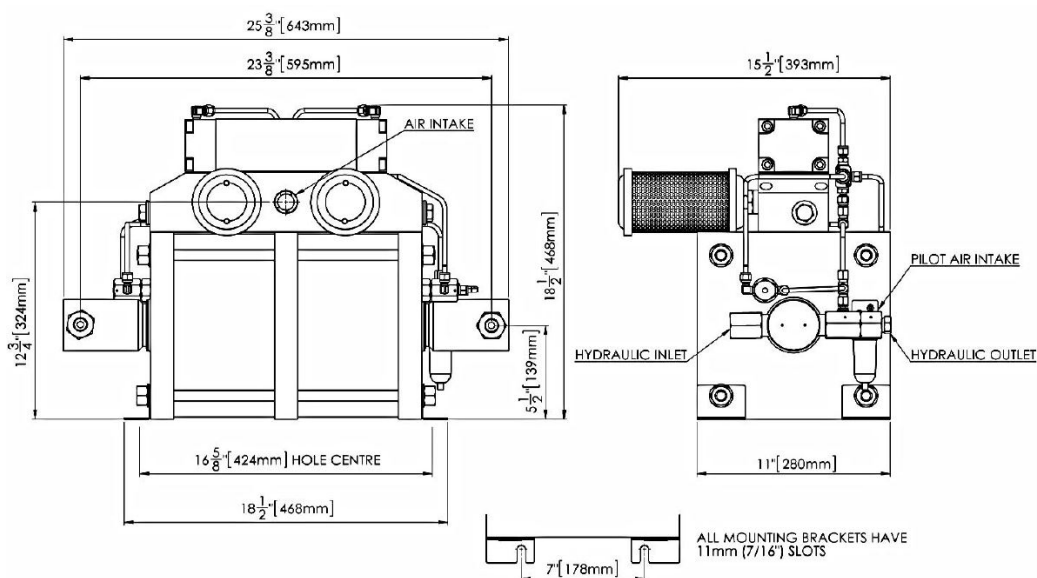
Hydraulic Inlet	1/2" NPT(F)
Hydraulic Outlet	9/16" MP(F)
Air Inlet	1" NPT(F)
Pilot Air Supply	1/8" BSPP(F)
Net Weight	69kg (152lb)

COMMON OPTIONS (BUT NOT LIMITED TO)

/ A	ATEX - Zone 1 Category II
/ F	Panel mount digital stroke counter (non ATEX)
/ G	Panel mount pneumatic stroke counter

GENERAL LAYOUT DRAWING

Model: PU-DHDA66/4



HYDRAULIC PRESSURE STATIC / STALL CONDITIONS

AIR PRESSURE	HYDRAULIC PRESSURE
20psi (1.4bar)	2,660psi (183bar)
40psi (2.8bar)	5,320psi (367bar)
60psi (4bar)	7,980psi (550bar)
80psi (5.5bar)	10,640psi (734bar)
100psi (7bar)	13,300psi (917bar)

FLOW CURVE

DHDA66 – Ratio 132:1

